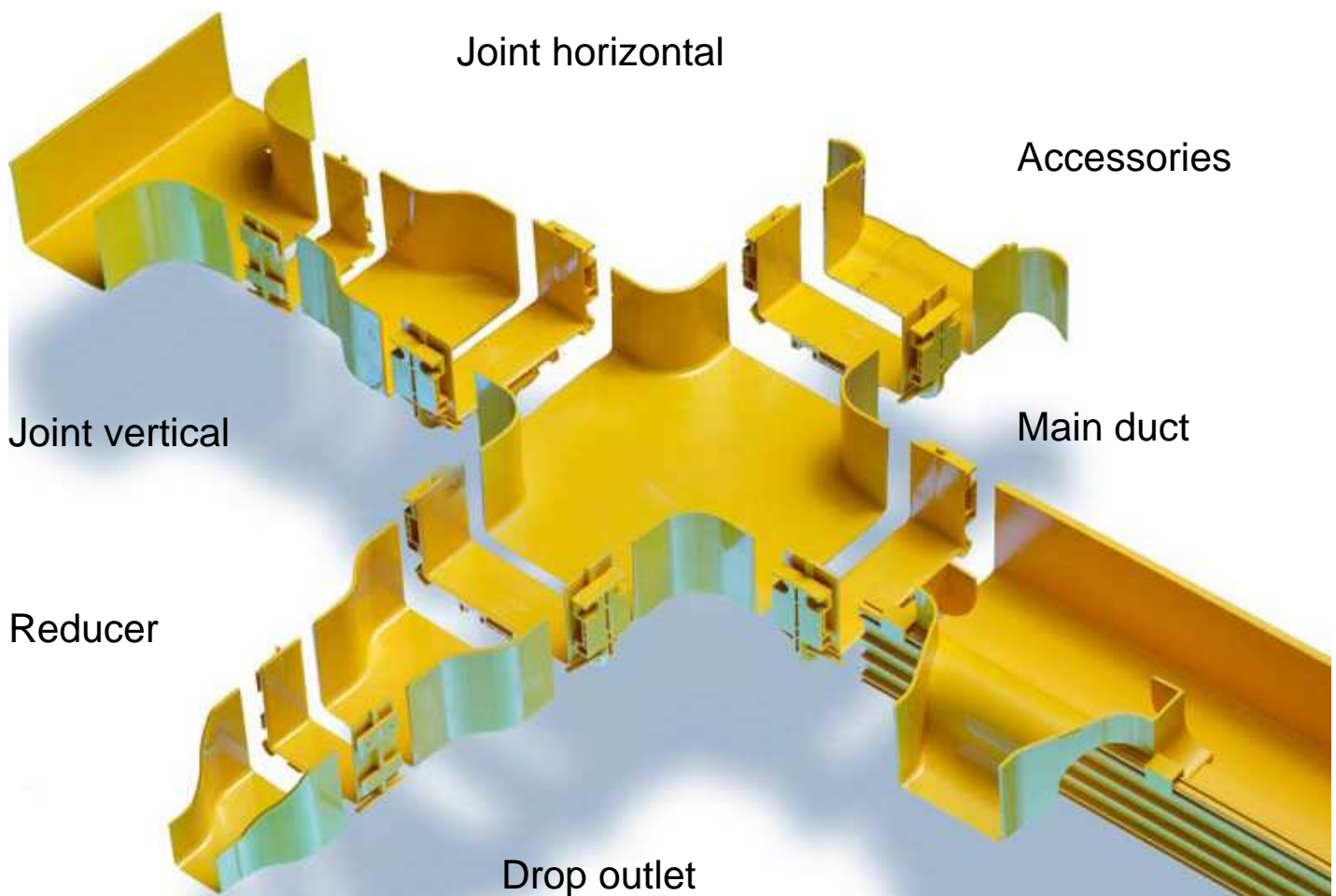


Planning aids



R&M Raceway System

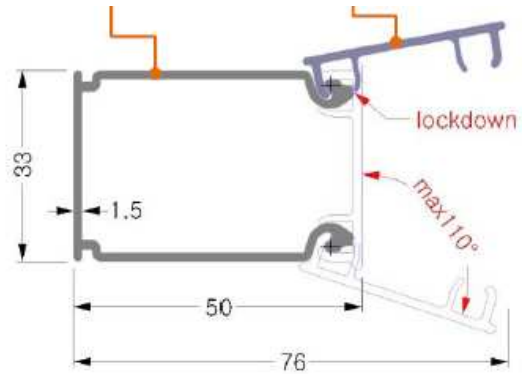
Raceway System Assortment



Main duct incl. Cover

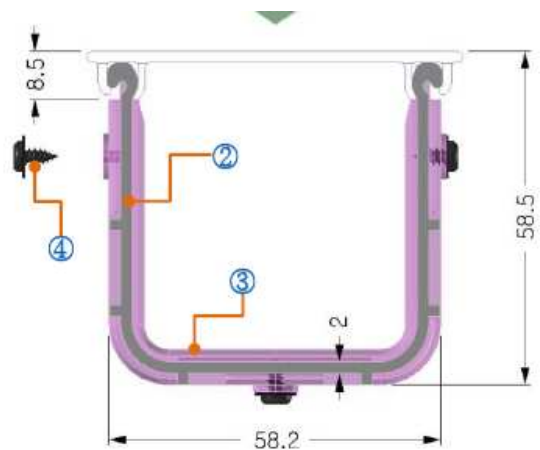
30x50x1000mm

Packing density: max. 150 psc. 2mm patch cord



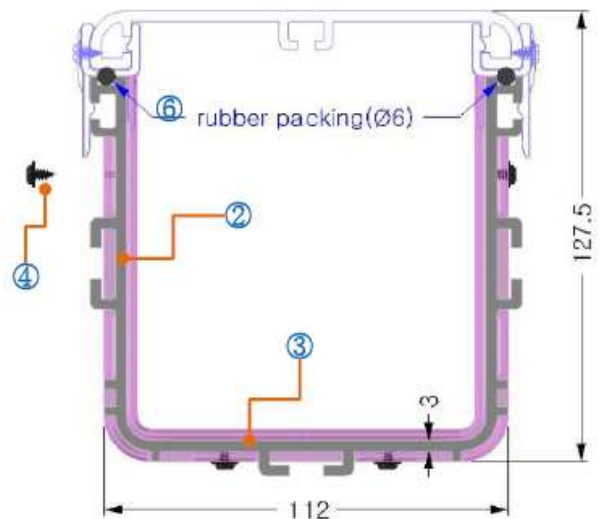
50x50x1000mm

Packing density: max. 450 psc. 2mm patch cord



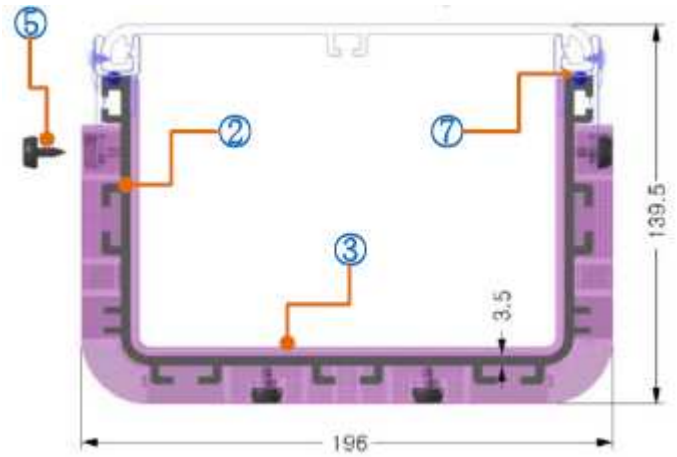
100x100x1000mm

Packing density: max. 1900 psc. 2mm patch cord



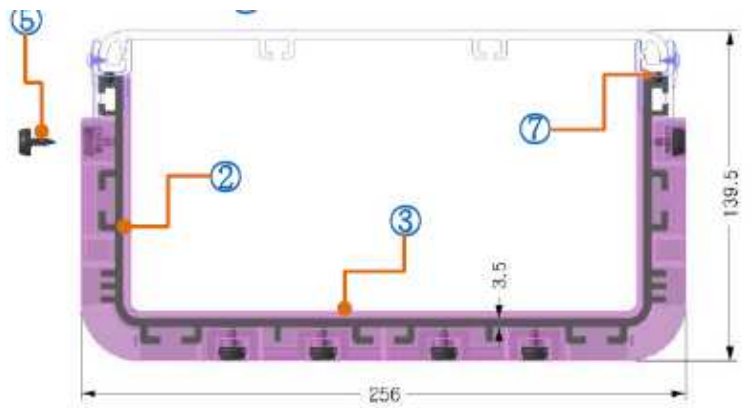
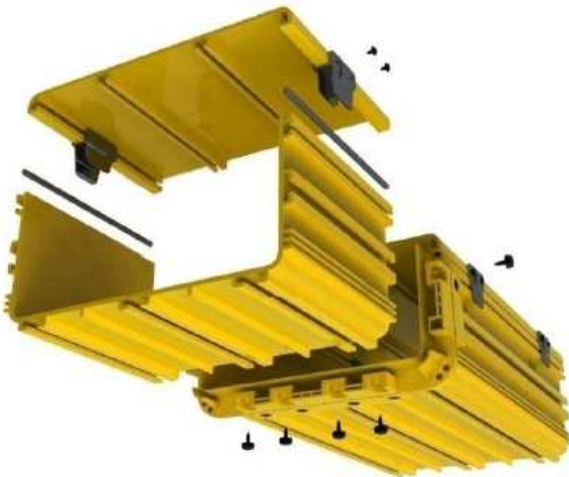
160x100x1000mm

Packing density: max. 3100 psc. 2mm patch cord



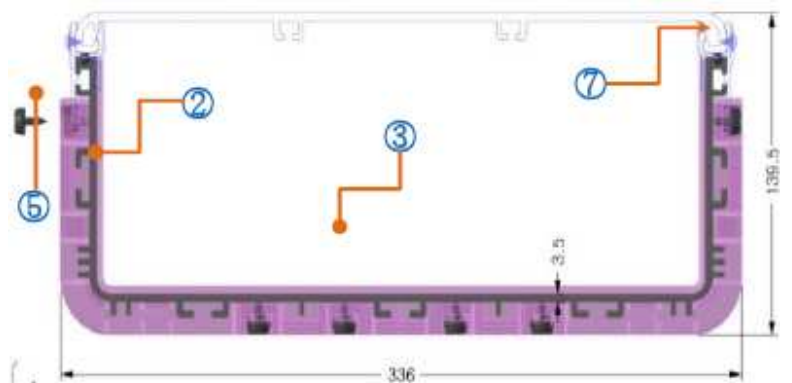
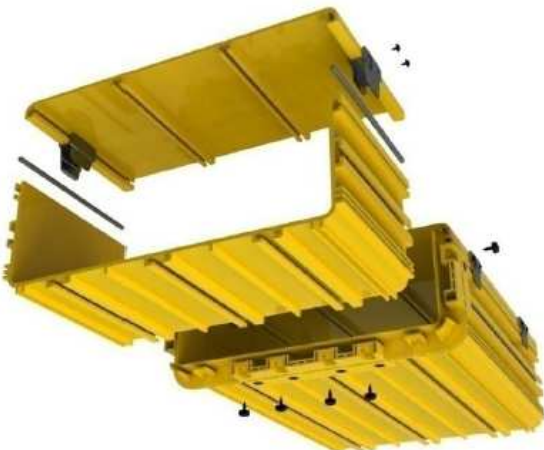
220x100x1000mm

Packing density: max. 4300 psc. 2mm patch cord

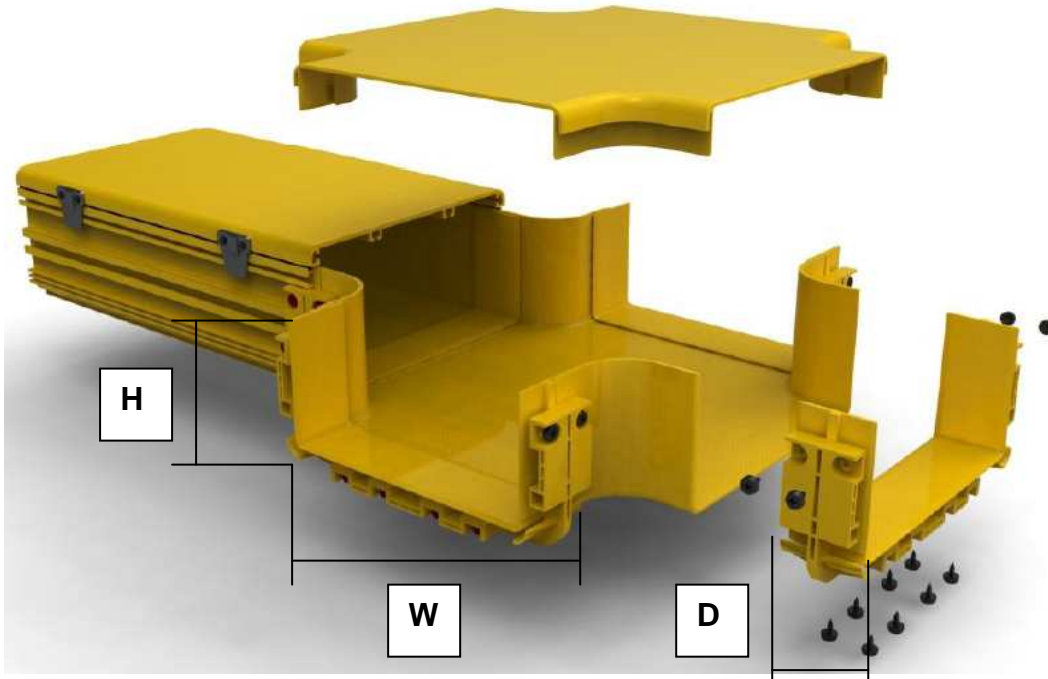


300x100x1000mm

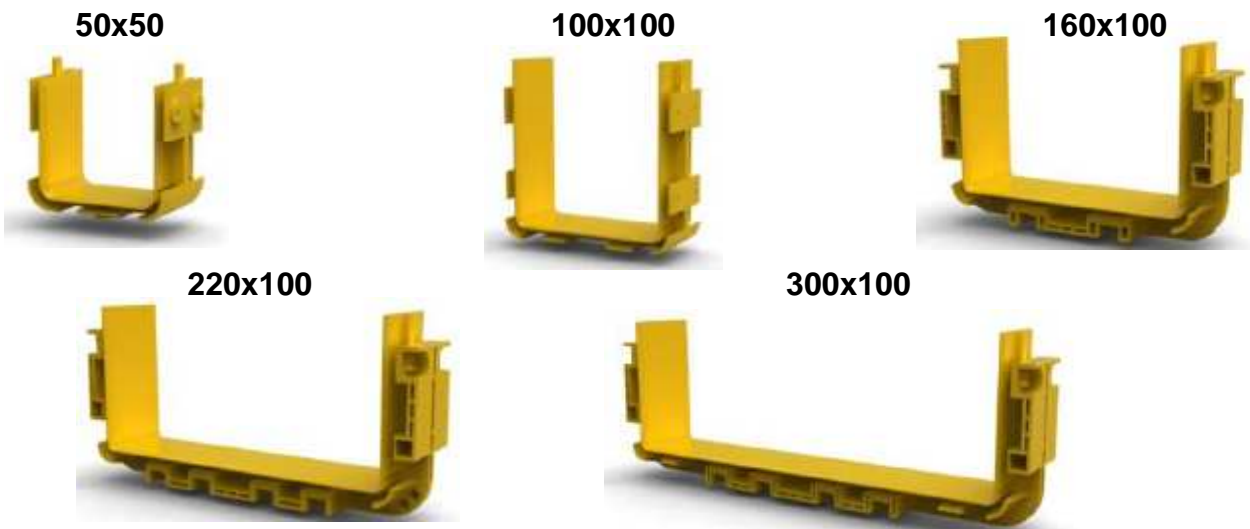
Packing density: max. 5900 psc. 2mm patch cord



Connecting with component Joiner

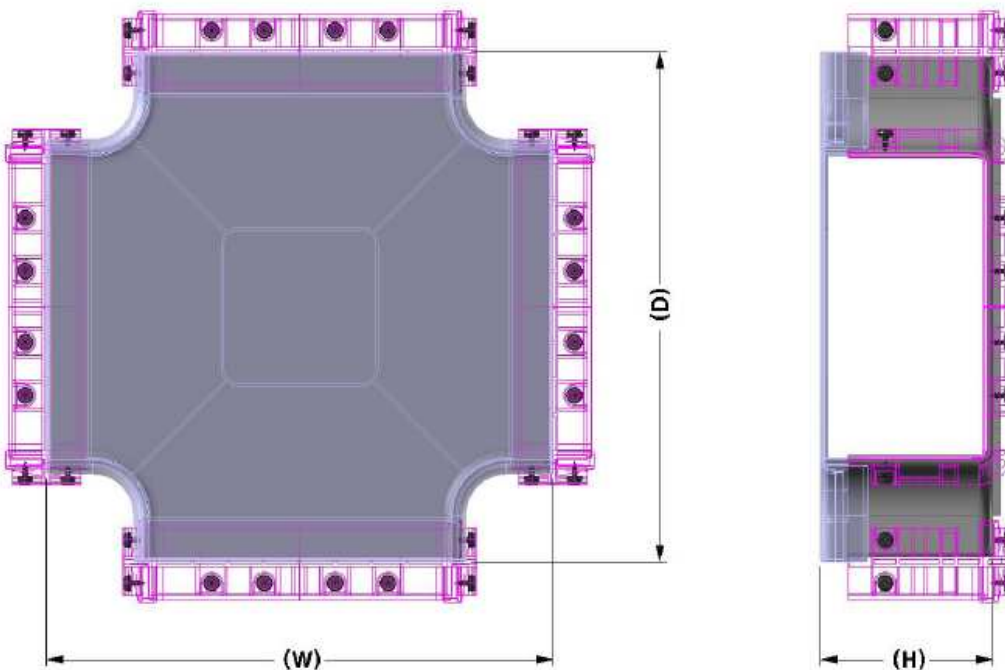
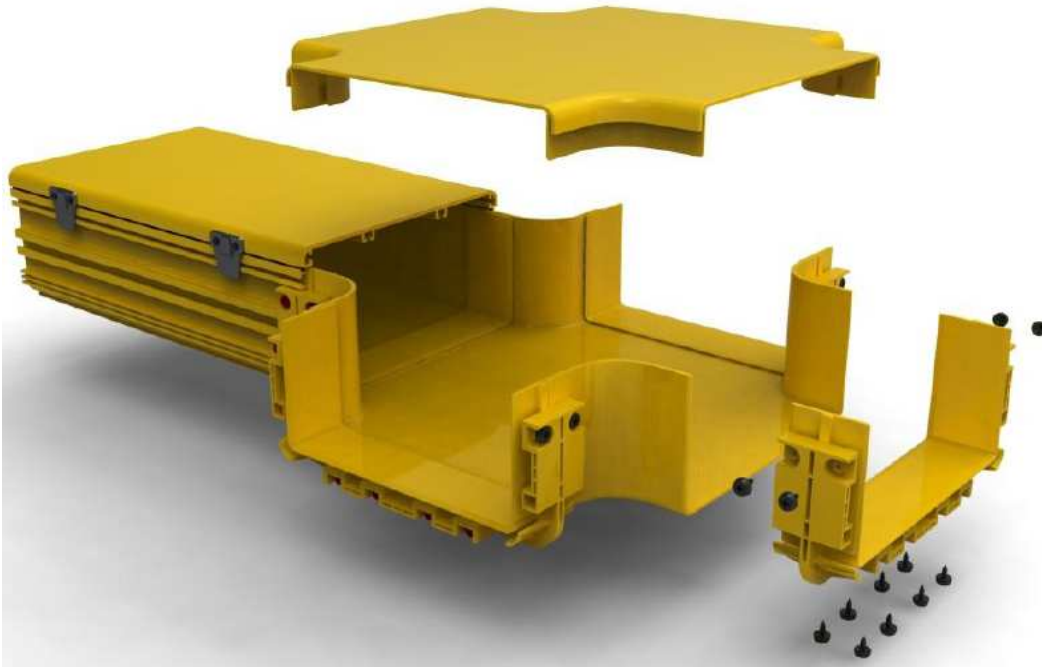


Component joiner



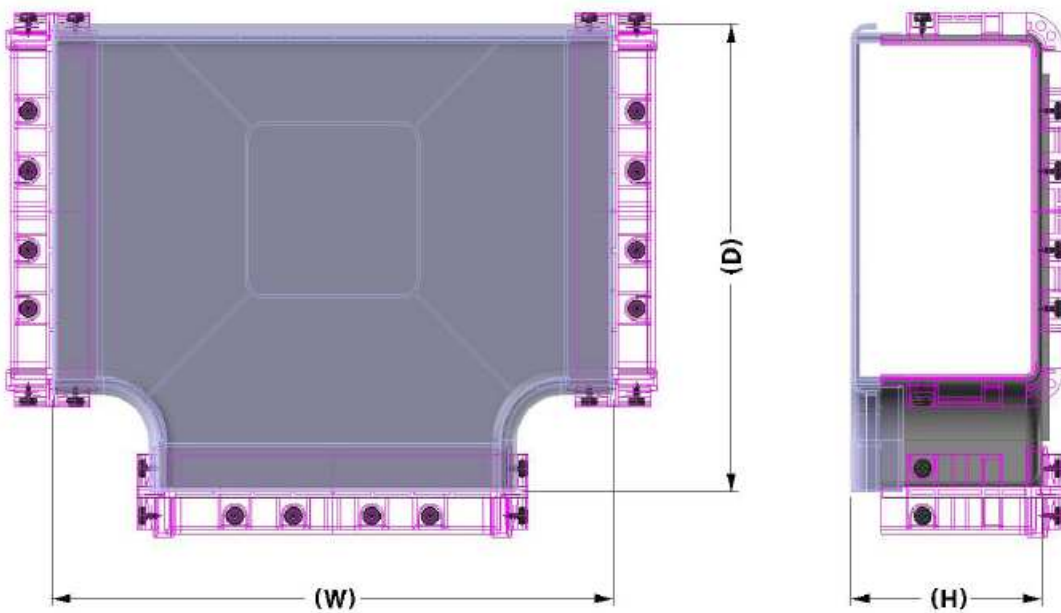
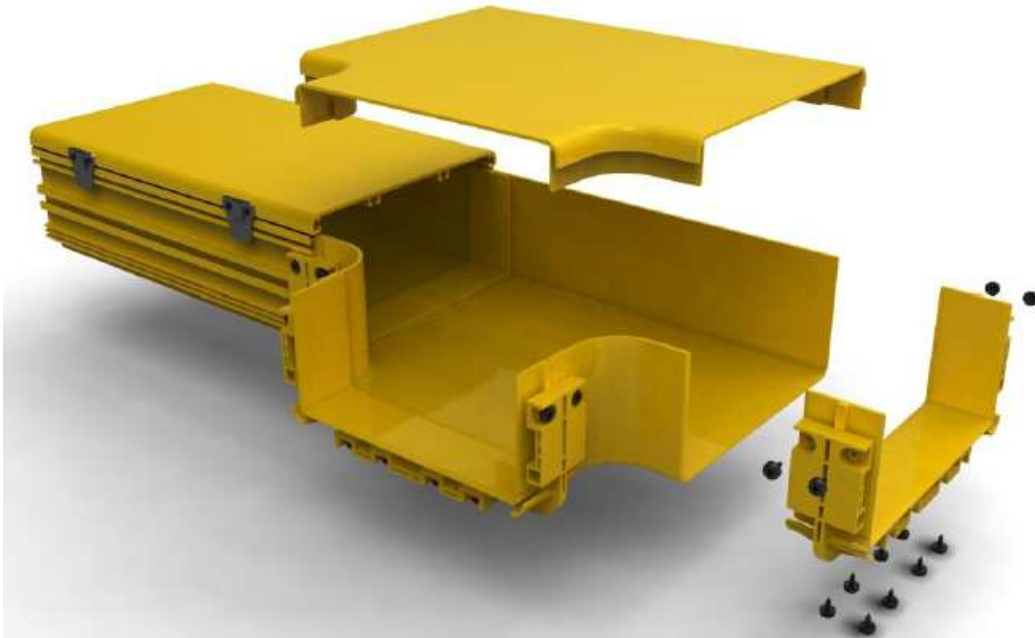
Size Joiner	Width W	Depth D	High H
50x50	58mm	34mm	56mm
100x100	112mm	45mm	109mm
160x100	196mm	55mm	119.5mm
220x100	256mm	55mm	119.5mm
300x100	336mm	55mm	119.5mm

Horizontal Cross incl. cover



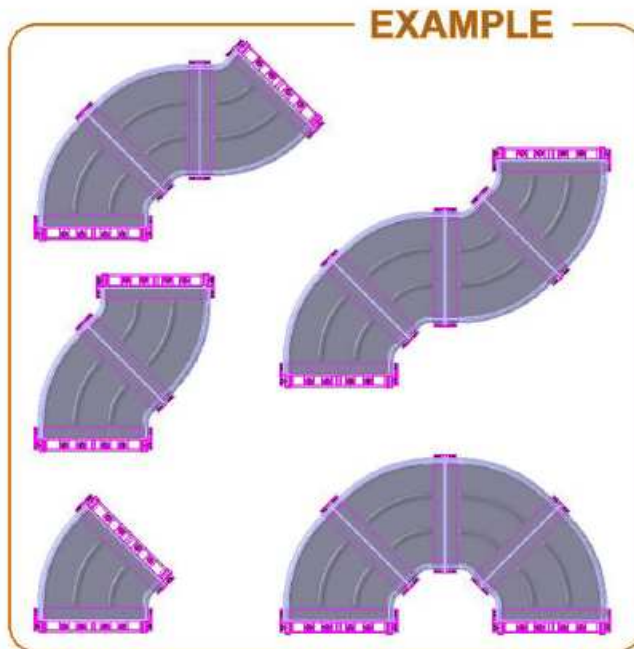
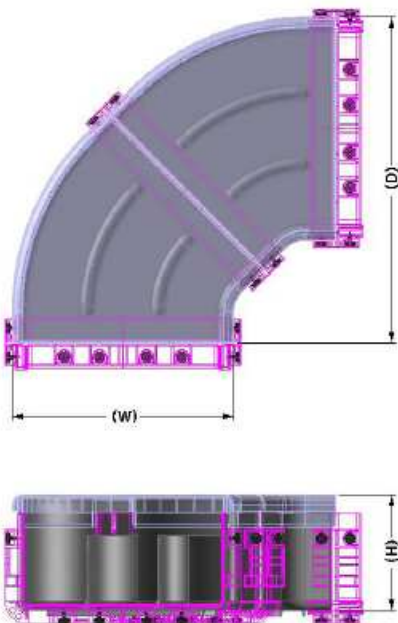
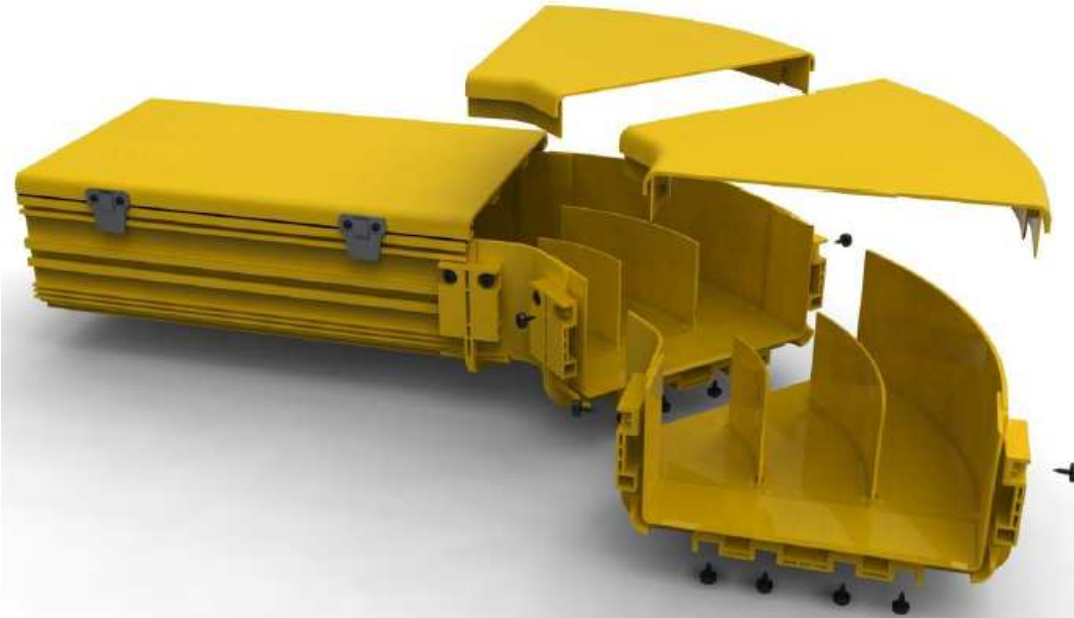
Size Cross	Width W	Depth D	High incl. cover H
100x100	265mm	265mm	125mm
160x100	307mm	307mm	125mm
220x100	367mm	367mm	125mm
300x100	447mm	447mm	125mm

Horizontal Tee incl. cover



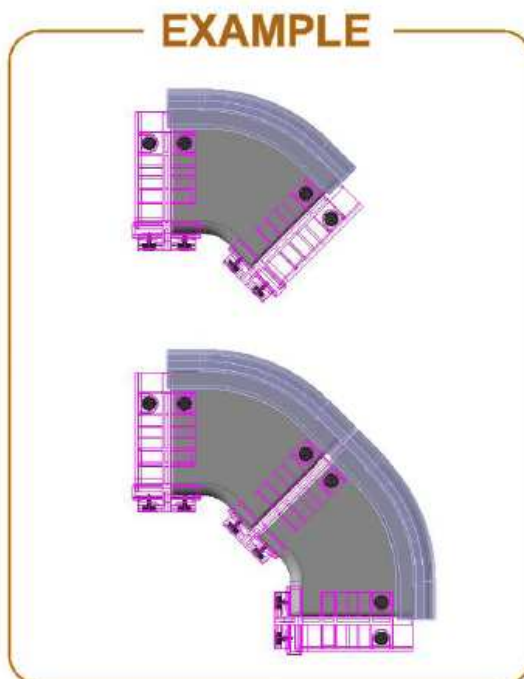
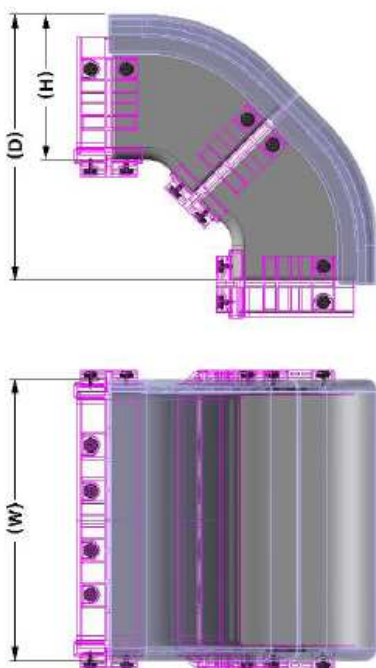
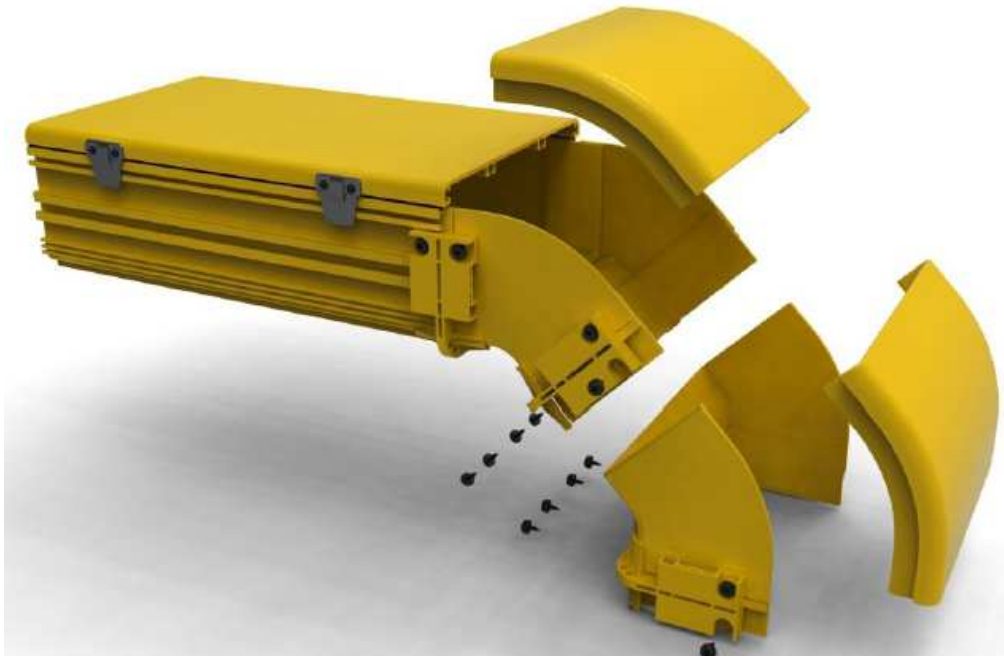
Size TEE	Width W	Depth D	High incl. cover H
100x100	265mm	193mm	125mm
160x100	307mm	244mm	125mm
220x100	367mm	304mm	125mm
300x100	447mm	384mm	125mm

Horizontal Elbow – 90°/ 45° H incl. cover



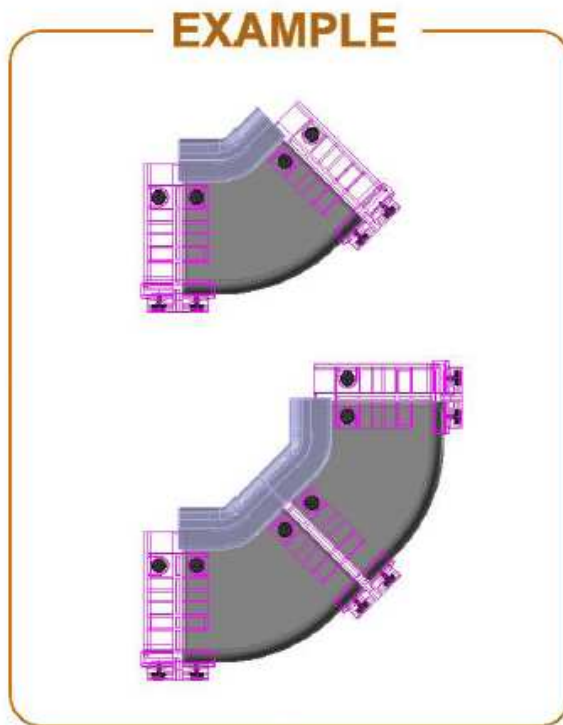
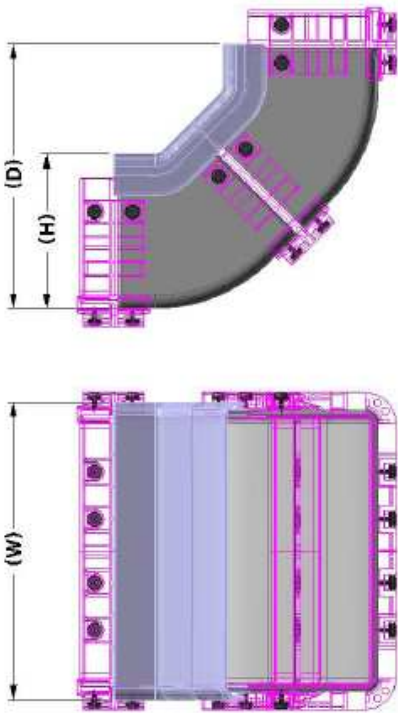
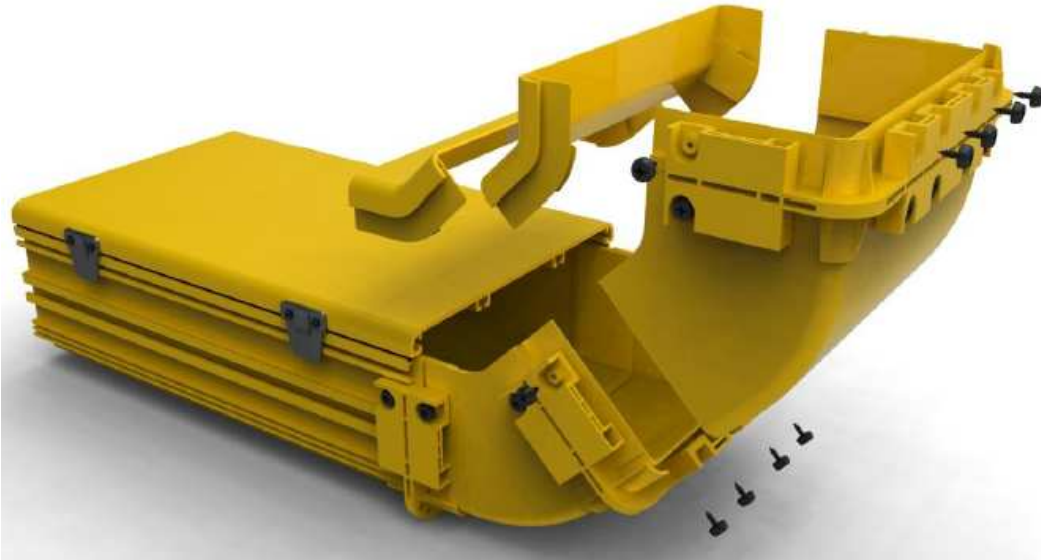
Size Elbow-H	Width W	Depth D	High incl. cover H
100x100	120mm	193mm	125mm
160x100	181mm	291mm	125mm
220x100	241mm	352mm	125mm
300x100	321mm	431mm	125mm

Vertikal Elbow - 90°/ 45° D incl. cover



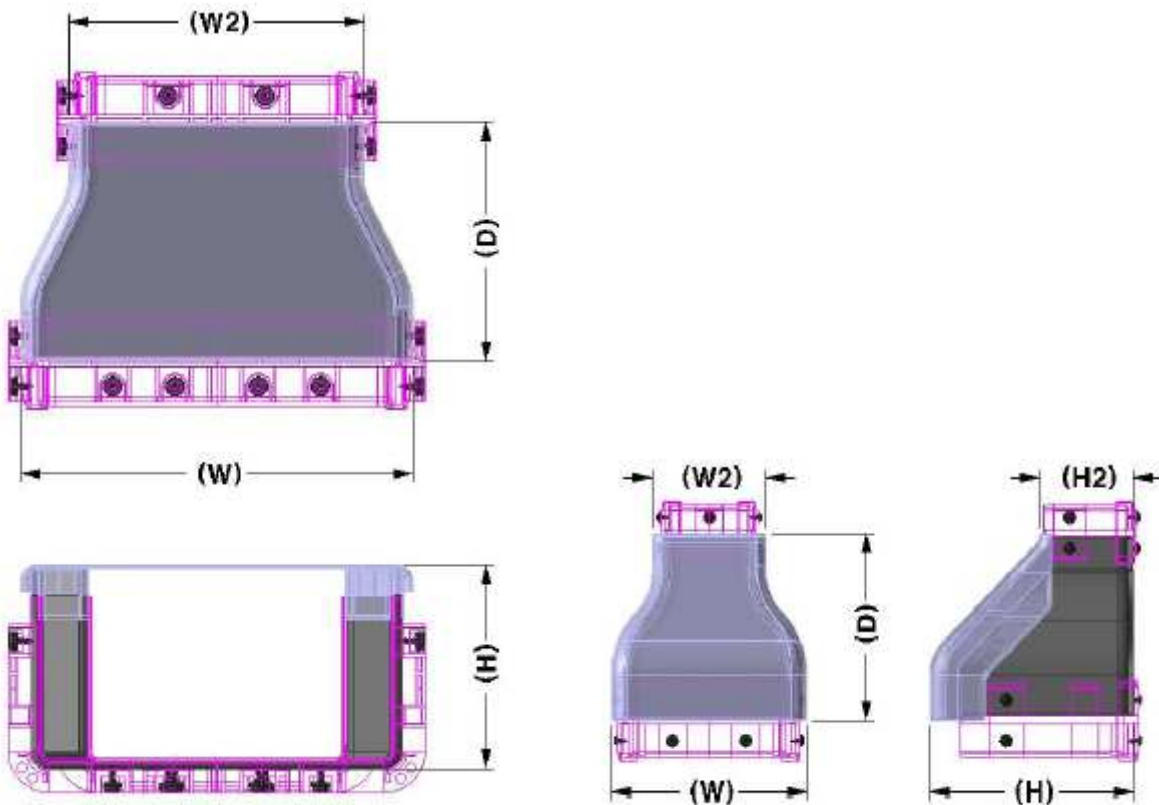
Size Elbow-D	Width W	Depth D	High incl. cover H
50x50	66mm	138mm	56.5mm
100x100	120mm	230mm	125mm
160x100	181mm	232mm	125mm
220x100	241mm	232mm	125mm
300x100	321mm	232mm	125mm

Vertikal Elbow - 90°/ 45° U incl. cover



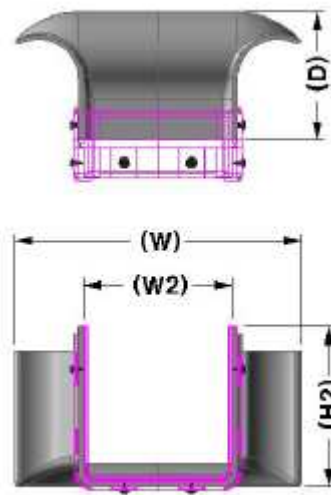
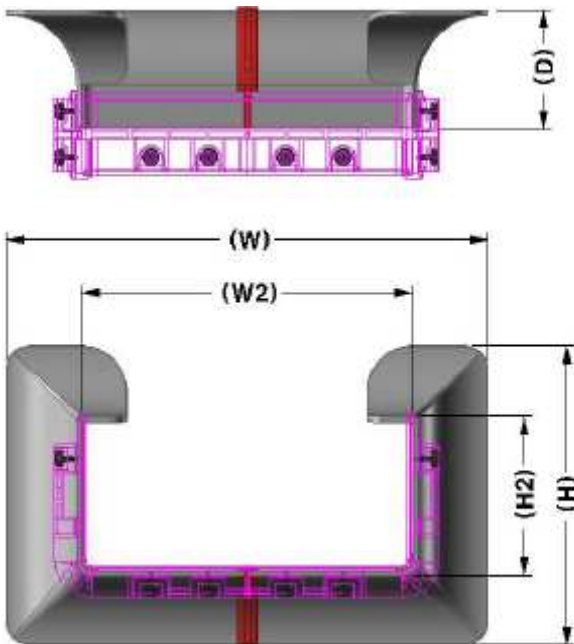
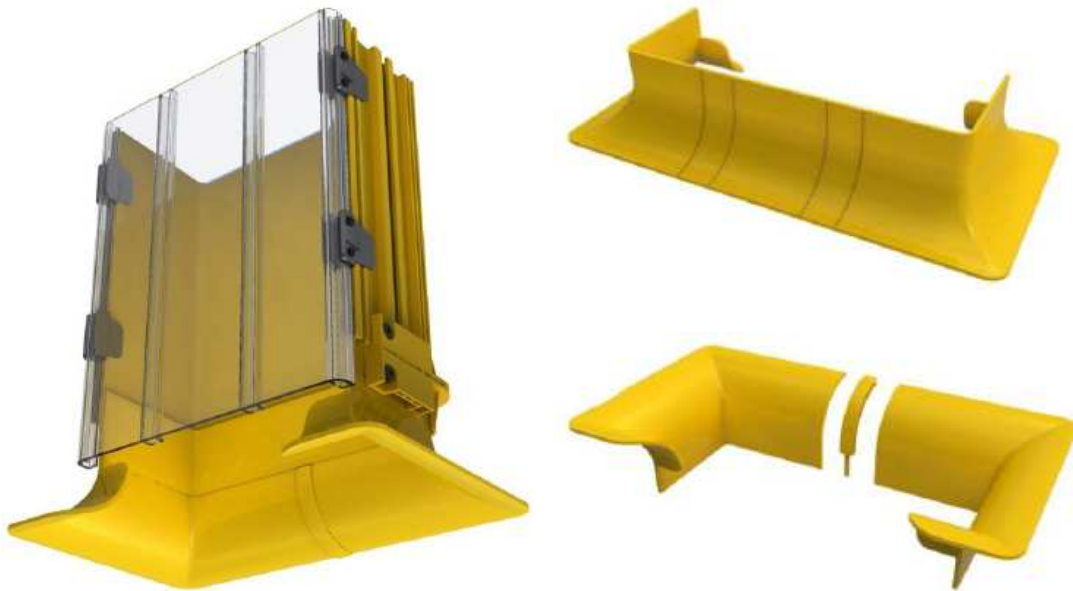
Size Elbow-U	Width W	Depth D	High incl. cover H
50x50	66mm	135mm	56.5mm
100x100	120mm	207mm	125mm
160x100	181mm	232mm	125mm
220x100	241mm	214mm	125mm
300x100	321mm	208mm	125mm

Reducer incl. cover



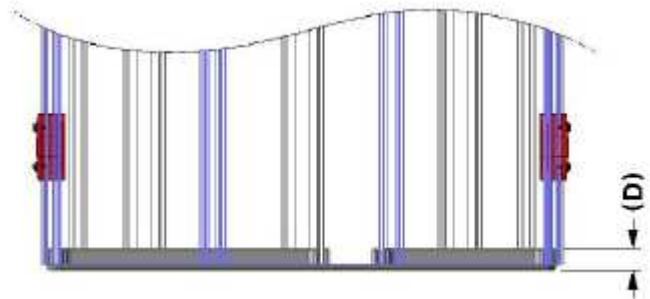
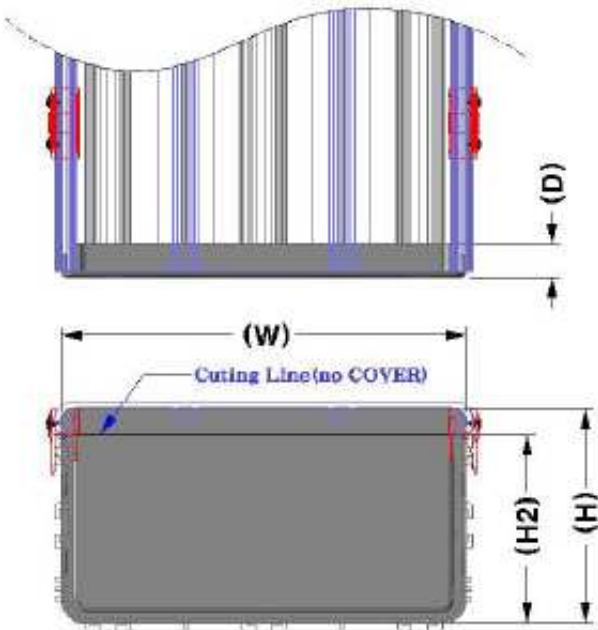
Size Reducer	Width W / W2	Depth D	High incl. cover H / H2
100x100/50x50	120mm / 70mm	114.5mm	125mm / 57.5mm
160x100/100x100	181mm / 121mm	291mm	125mm
220x100/160x100	241mm / 181mm	352mm	125mm
300x100/220x100	321mm / 241mm	431mm	125mm

Trumpet outlet



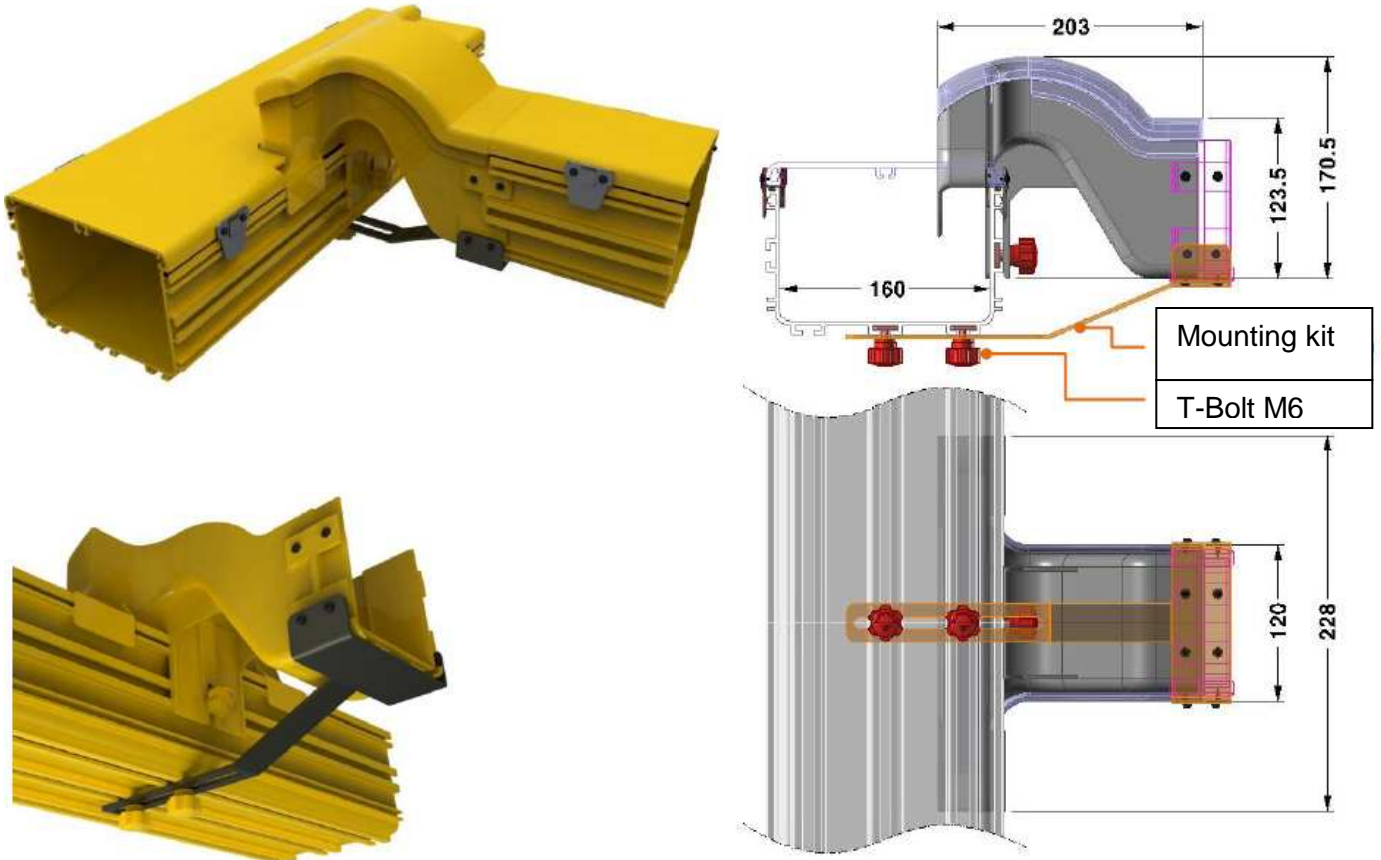
Size Trumpet outlet	Width W / W2	Depth D	High H / H2
50x50	96mm / 50mm	46mm	54mm
100x100	192mm / 100mm	86mm	106mm
160x100	260mm / 160mm	80mm	106mm / 200mm
220x100	320mm / 220mm	80mm	106mm / 200mm
300x100	400mm / 300mm	80mm	106mm / 200mm

End cover

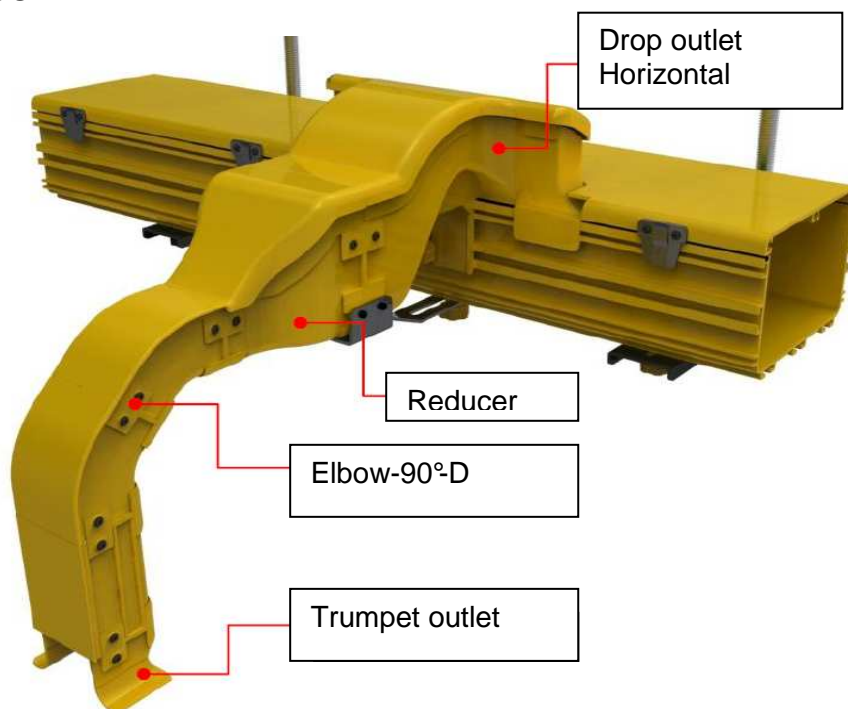


Size End cover	Width W	Depth D	High H / H2
100x100	114.5mm	13mm	127mm / 112.5mm
160x100	175mm	13mm	127mm / 112.5mm
220x100	233.2mm	19mm	124mm / 108.5mm
300x100	314mm	13mm	127mm / 112.5mm

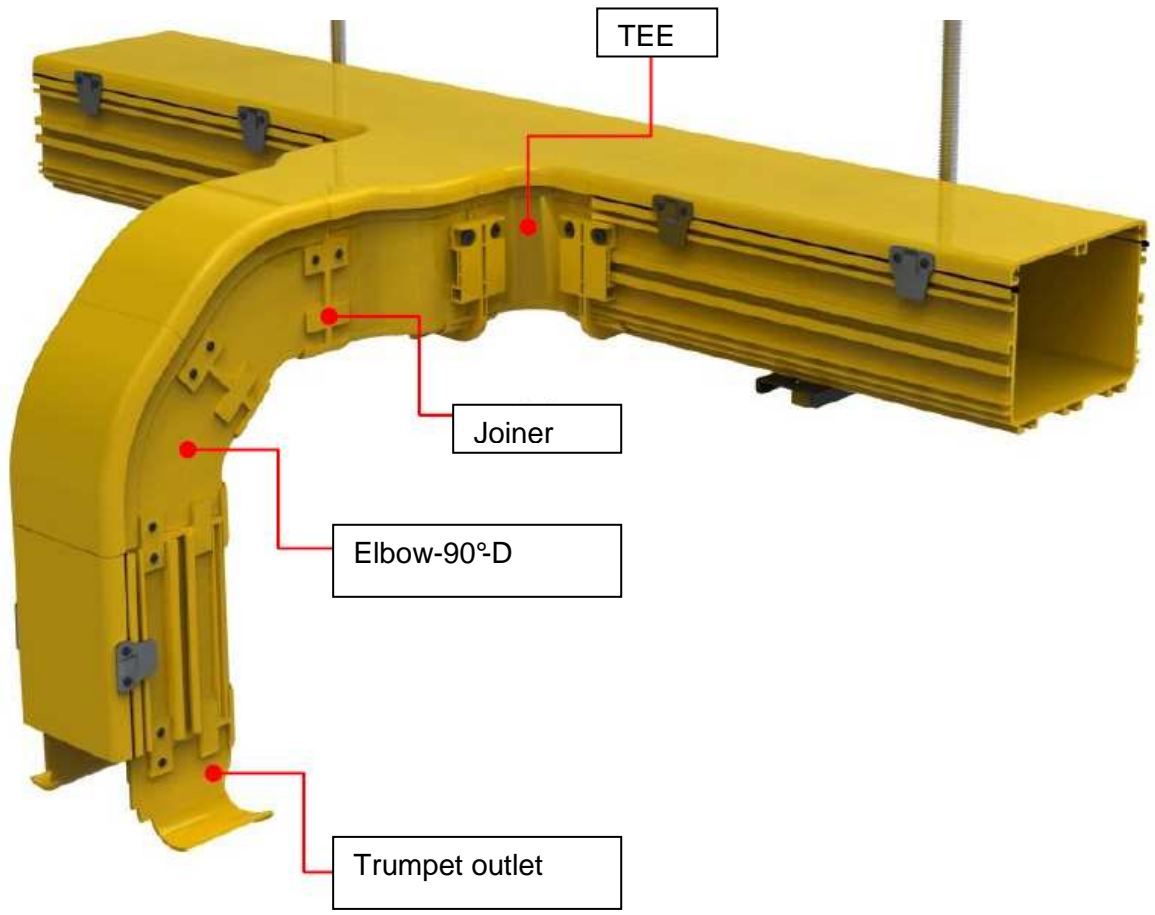
Drop outlet incl. cover



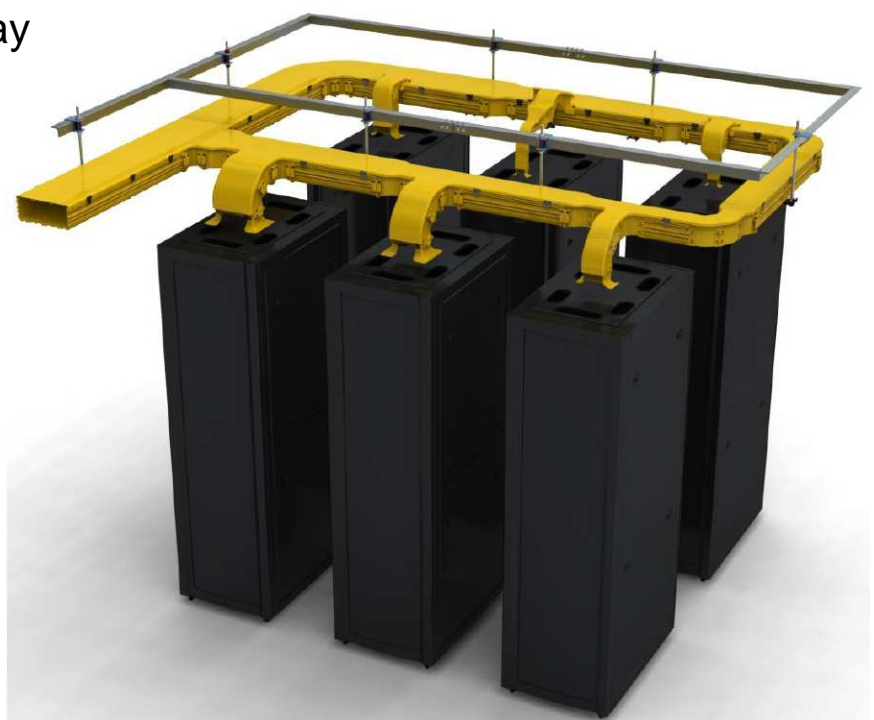
Example of use



Example of use vertical application with TEE or Cross

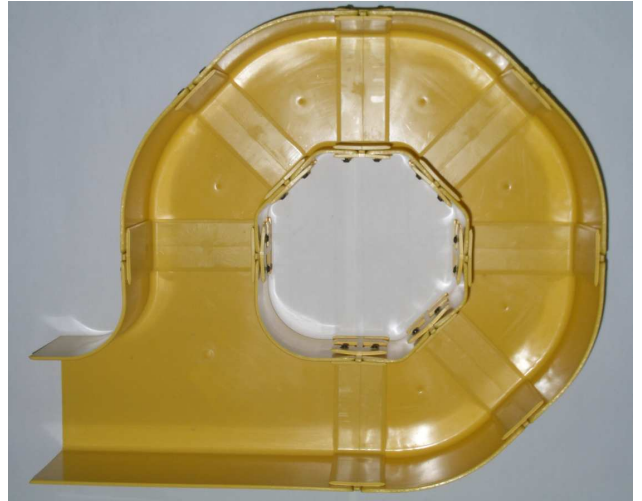


Example of use Raceway



Example of use Patch cord storage

At the end of a Main duct

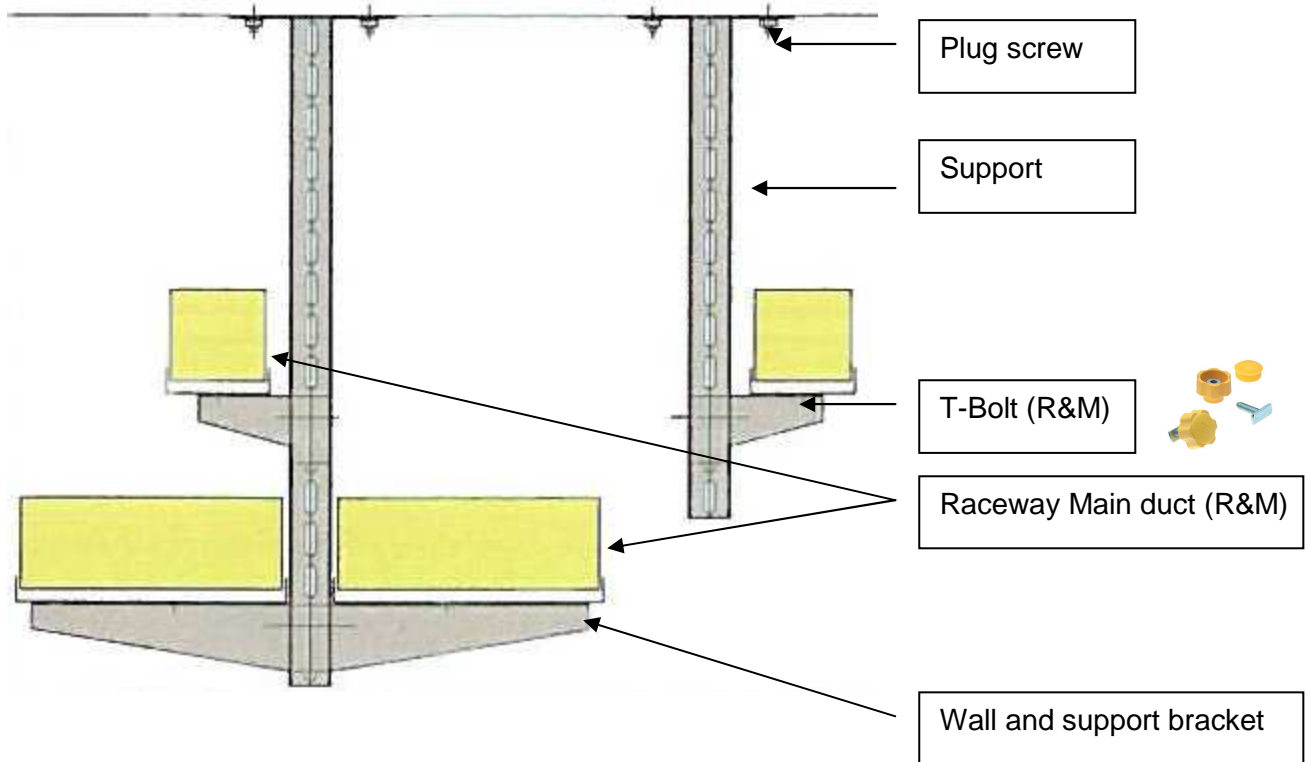


Between a Main duct

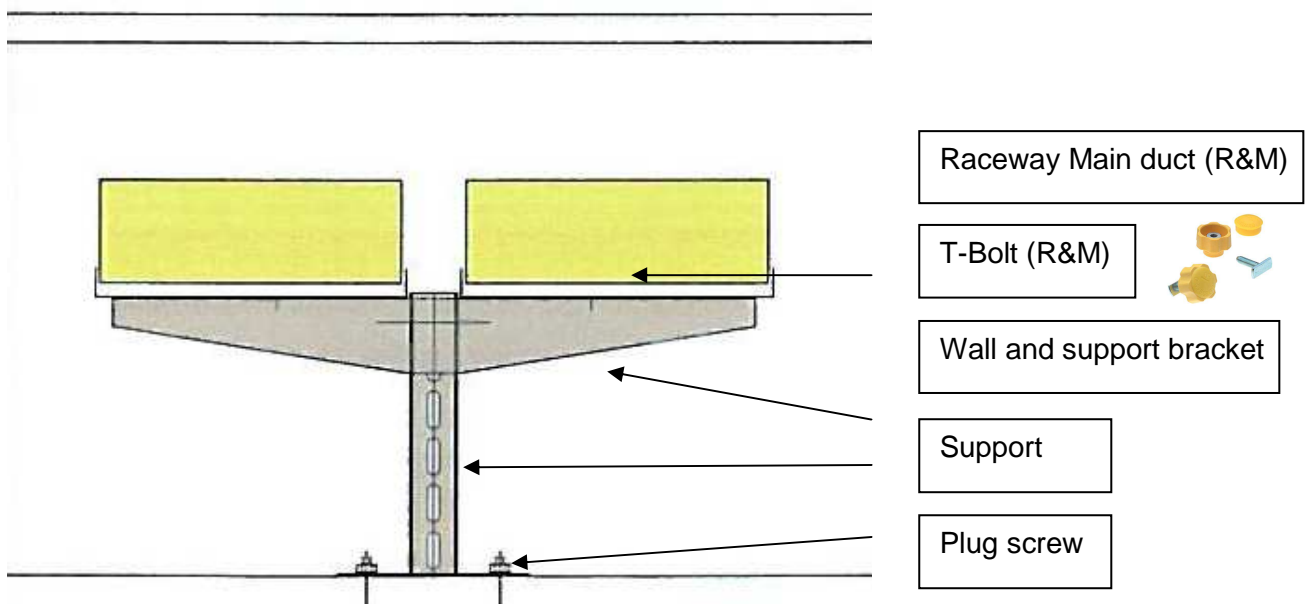


Example of use installation equipment

Celling installation



Floor installation



Suppliers for the installation equipments

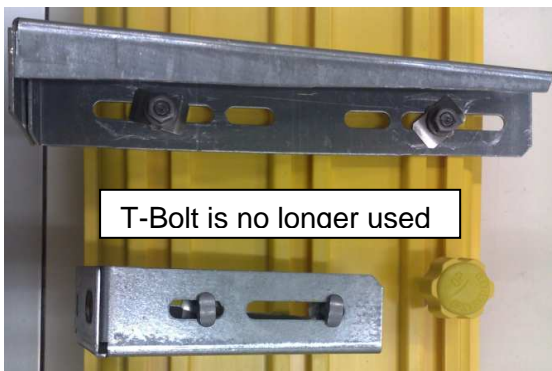
Owing to the individual installation of a Raceway System for a building or a room, it has become extremely important to have a competent Partner for all various Raceway installations and applications.

We recommend following suppliers for the all the installation equipments:

http://www.obo-bettermann.com/downloads/en/kataloge/kts_mont_en.pdf (Kataloge)

<http://www.lanz-oens.com/> (Kataloge)

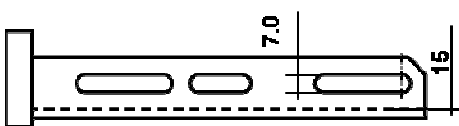
<http://www.obo-bettermann.com/at/schnellbefestigung.shtml> (The perfect Solution)



Size of support bracket slot for using R&M T-Bolt



Wall and support bracket



When used T-Bolt (R&M)



Recommended supporter distance (Wand- and supporter bracket)

900 mm – 1200mm



Visio and AutoCAD planning help for Raceway System

Additional design help for an easy planning of the Raceway System.
The Visio shapes (.vss) and AutoCAD (.dxf) files are ready to download directly from:

Internet: <http://www.rdm.com/de/desktopdefault.aspx/tabid-205/>

Sample Visio-Planning

