

**3M**

# Hot Melt Fiber Optic Connectors, Kits and Accessories



Reliable and Fast

3M™ Hot Melt Connectors are among the most popular with contractors because of their reliability and ease of use. They come pre-loaded with an adhesive that is not limited in shelf life, and the termination procedure provides the ability to reheat and reposition the fiber in the termination process. This easy-to-install field mount connector provides reliable performance in indoor and outdoor applications and has no internal splice.

All 3M hot melt connectors can be terminated using the same 3M™ Hot Melt Termination Kit 6365/6361. 3M™ LC Connectors require the 3M™ LC Expansion Kit 6650-LC which includes a weighted polishing jig to provide a PC centered apex end face.

### **APPLICATIONS:**

The applications for the hot melt connector are based on industry standards for performance over environmental extremes.

### **3M™ HOT MELT CONNECTORS**

- Singlemode and multimode local area networks and campus wiring
- Singlemode telephony central office and CATV headend
- Environmental performance requirements exceeding EIA/TIA 568-B.3
- Singlemode reflection requirements of  $-55\text{dB}$
- Available in LC, ST, SC, FC singlemode and multimode connectors
- Provides reliable performance in a wide range of indoor and outdoor applications



3M™ Multimode Duplex LC Connector 6600



3M™ Singlemode FC Connector 8200



3M™ Multimode SC Connector 6300



3M™ Multimode ST Connector 6100

## FEATURES AND BENEFITS

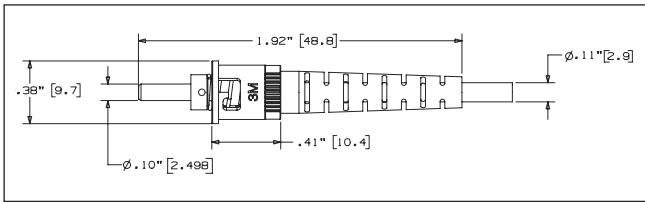
### 3M™ HOT MELT CONNECTORS – LC, ST, SC, FC

Meets TIA/EIA 568-B.3 standard for indoor and outdoor applications	Long term reliability
Ease of use on backbone and horizontal cable	Quick termination in <2 minutes; high yield
Allows custom length cable assemblies to be built on site	Enhances cable management in telecom room or central office
	Minimizes cable slack
Adhesive fiber retention	Not dependent on mechanical retention alone
3M field polishing process produces <55dB reflection, singlemode	Reliable in high speed transmission
Pre-loaded adhesive	No epoxy mixing or mess; no pot life
Re-heatable adhesive	Allows fiber repositioning
Blue dot of adhesive	Easy to see when polishing is complete

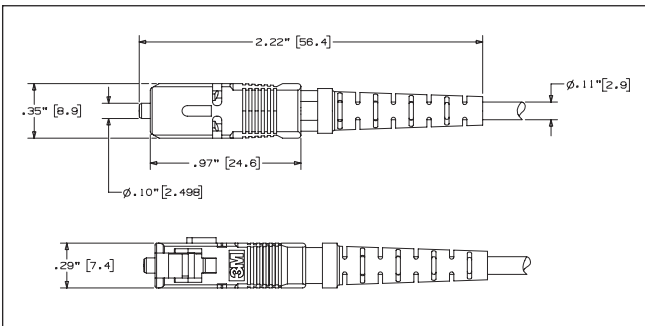
## SPECIFICATIONS

SPECIFICATIONS	MULTIMODE	SINGLEMODE
<b>Product Number</b>	6100 ST Series 6200 FC Series 6300 SC Series 6600 LC Series	8100 ST Series 8200 FC Series 8300 SC Series 8600 LC Series
<b>Testing Specification</b>	TIA/EIA 568-B.3	TIA/EIA 568-B.3
<b>Operating Temperature*</b>	-10°C to +60°C (+14°F to +140°F)	-10°C to +60°C (+14°F to +140°F)
<b>Attenuation*</b>	<0.2dB typical	<0.2dB typical
<b>Reflection*</b>	-25dB typical	-55dB typical
<b>Mating Durability 300 Matings</b>	<0.2dB change	<0.2dB change
<b>Storage Temperature</b>	-40°C to +85°C (-40°F to +185°F)	-40°C to +85°C (-40°F to +185°F)
<b>Materials and Identification</b>		
<b>Ferrule</b>	Zirconia ceramic	Zirconia ceramic
<b>Housing Body</b>	Nickel plated zinc (ST) Engineered resin (LC, SC, FC)	Nickel plated zinc (ST) Engineered resin (LC, SC, FC)
<b>Boot</b>	Thermoplastic elastomer	Thermoplastic elastomer
<b>Flame Retardancy</b>	UL-94 V-0	UL-94 V-0
<b>Adhesive</b>	Blue dot on ferrule	Blue dot on ferrule
*Multimode connectors tested at 850nm and 1300nm.		
*Singlemode connectors tested at 1310nm and 1550nm.		
*Tested for 96 hours at 85°C, exceeding TIA/EIA 568-B.3.		

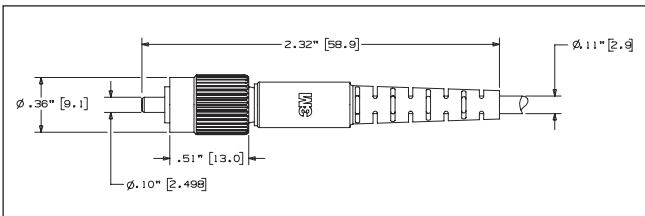
### 3M™ ST Hot Melt Connector



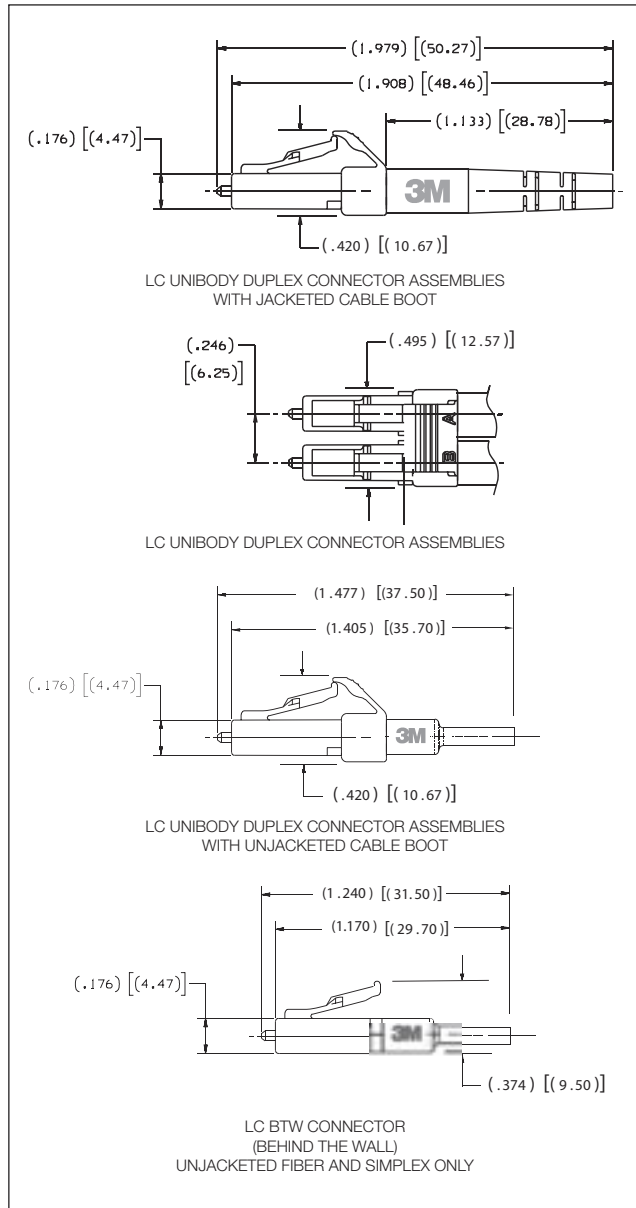
### 3M™ SC Hot Melt Connector



### 3M™ FC Hot Melt Connector



### 3M™ LC Hot Melt Connector



**ORDERING INFORMATION - 3M™ HOT MELT CONNECTORS**

PRODUCT NUMBER	DESCRIPTION	MINIMUM ORDER QUANTITY	PACKAGING
<b>3M™ LC Connectors</b>			
6600-S	MM hot melt simplex 900 BTW, white boot	60	1/bag, 60/carton
6602-S	MM hot melt simplex 1.6-2.0 cable, white boot	60	1/bag, 60/carton
6603-S	MM hot melt simplex 2.4-3.0 cable, white boot	60	1/bag, 60/carton
6601-D	MM hot melt duplex 900 buffer, white/beige boots	60	1/bag, 60/carton
6602-D	MM hot melt duplex 1.6-2.0 cable, white/beige boots	60	1/bag, 60/carton
6603-D	MM hot melt duplex 2.4-3.0 cable, white/beige boots	60	1/bag, 60/carton
6604-D	MM hot melt duplex 900 buffer, red/black boots	60	1/bag, 60/carton
6605-D	MM hot melt duplex 1.6-2.0 cable, red/black boots	60	1/bag, 60/carton
6606-D	MM hot melt duplex 2.4-3.0 cable, red/black boots	60	1/bag, 60/carton
8600-S	SM hot melt simplex 900 BTW, white boot	60	1/bag, 60/carton
8602-S	SM hot melt simplex 1.6-2.0 cable, white boot	60	1/bag, 60/carton
8603-S	SM hot melt simplex 2.4-3.0 cable, white boot	60	1/bag, 60/carton
8601-D	SM hot melt duplex 900 buffer, white/beige boots	60	1/bag, 60/carton
8602-D	SM hot melt duplex 1.6-2.0 cable, white/beige boots	60	1/bag, 60/carton
8603-D	SM hot melt duplex 2.4-3.0 cable, white/beige boots	60	1/bag, 60/carton
<b>3M™ ST Connectors</b>			
6100-W	MM hot melt connector, white boot	60	1/bag, 60/carton
6100-B	MM hot melt connector, black boot	60	1/bag, 60/carton
6100-R	MM hot melt connector, red boot	60	1/bag, 60/carton
6100-W1K	MM hot melt connector, white boot	1,000	1/bag, 1,000/carton
6100-B1K	MM hot melt connector, black boot	1,000	1/bag, 1,000/carton
6100-R1K	MM hot melt connector, red boot	1,000	1/bag, 1,000/carton
8100-YS	SM hot melt connector, yellow boot	60	1/bag, 60/carton
8100-Y1K	SM hot melt connector, yellow boot	1,000	1/bag, 1,000/carton
<b>3M™ FC Connectors</b>			
6200	MM hot melt connector, white boot	60	1/bag, 60/carton
8200-W	SM hot melt connector, white boot	60	1/bag, 60/carton
<b>3M™ SC Connectors</b>			
6300-W	MM hot melt connector, white boot	60	1/bag, 60/carton
6300-W1K	MM hot melt connector, white boot	1,000	1/bag, 1,000/carton
6300-B1K	MM hot melt connector, black boot	1,000	1/bag, 1,000/carton
6300-R1K	MM hot melt connector, red boot	1,000	1/bag, 1,000/carton
8300	SM hot melt connector, white boot	60	1/bag, 60/carton
8300-W1K-S	SM hot melt connector, white boot	1,000	1/bag, 1,000/carton

### 3M™ HOT MELT TERMINATION KITS

The 3M™ Hot Melt Termination Kits 6365 (120V oven) and 6361 (230V oven) contain all materials necessary to terminate 3M SC, ST, and FC hot melt, both singlemode and multimode. An LC expansion kit makes it easy to incorporate the LC hot melt process into one kit.



3M™ Hot Melt Termination Kits 6365 and 6361

### FEATURES AND BENEFITS

Improved microscope with oblique and coaxial lighting	Better view of fiber end face inspection
Roll-up tool pouch	Tools are organized and accessible
Universal hot melt holders	Fewer parts to carry, holds cable more securely
Instruction CD	Organized into video segments

### ORDERING INFORMATION - HOT MELT TERMINATION KITS

PRODUCT NUMBER	DESCRIPTION	MOQ	PACKAGING
6365	Hot melt termination kit for ST, FC, SC hot melt connectors, 120V	1	1 each
6361	Hot melt termination kit for ST, FC, SC hot melt connectors, 230V	1	1 each
6650-LC	LC expansion kit	1	1 each
6156	Conversion kit (epoxy to hot melt 120V)	1	1 each
6157	Conversion kit (epoxy to hot melt 230V)	1	1 each

### ORDERING INFORMATION - HOT MELT ACCESSORIES

PRODUCT NUMBER	DESCRIPTION	MOQ	PACKAGING
6850-A	Hot melt polishing machine with ST holder	1	1 kit
6392	SC holder for 6850-A polishing machine	1	1 kit
6292	FC holder for 6850-A polishing machine	1	1 kit
6192-B	Lapping film for 6850-A polishing machine	4 pkg	50 shts/pkg
6365-CC	Hot melt consumable kit for ST, SC, FC Lapping film, 2 µm (254X) Lapping film, 0.05 µm (263X) Lint free cloths 8892 universal polishing jig	1	1 each 200 sheets 50 sheets 200 sheets 1 each
6650-LS	LC lapping film singlemode consumable kit (polishes 400 connectors) Lapping film, 9 µm (441X) Lapping film, 2 µm (254X) Lapping film, 0.5 µm (661X) Lapping film, final polish (863XW)		1 each 20 sheets 100 sheets 40 sheets 80 sheets
6650-LM	LC lapping film multimode consumable kit (polishes 400 connectors) Lapping film, 9 µm (441X) Lapping film, 2 µm (254X)		1 each 20 sheets 100 sheets

**3M™ HOT MELT TERMINATION KIT 6365/6361 CONTENTS**

PRODUCT NUMBER	DESCRIPTION	CONTENTS QTY	REPLACEMENT MOQ	PKGING
6312	120V oven (6365 Kit)	1	1	1
6323	230V oven (6361 Kit)	1	1	1
6365-UH	Universal holder	4	4	4/pkg
6365-PP	Round polishing pad	1	1	1
8365-PP	Soft polishing pad	2	1	1
6192-A	2 µm lapping film (pale green)	200	500	500/pkg
661X-1.5S	1.5 µm diamond film (pale grey)	15	15	250/pkg
863X-0.02S	Final lapping film (frosted)	50	50	50/pkg
263X	0.05 µm lapping film (pale yellow)	50	50	50/pkg
8892	Polishing jig	3	1	1
6365-JS	Jacket stripper	1	1	1
6365-KS	Kevlar snips	1	1	1
6365-ST	Stripping tool	1	1	1
6365-CT	Crimp tool	1	1	1
6365-FS	Fiber scribe	1	1	1
6365-VS	View scope (200X)	1	1	1
	Pronto adhesive	1	-	-
05-00017	Lint-free cloths	100	100	100/pkg
	120V power cord (6365 Kit)	1	-	-
	230V UK power cord (6361 Kit)	1	-	-
	230V EU power cord (6361 Kit)	1	-	-
	Alcohol bottle (empty)	1	-	-
	Water bottle (empty)	1	-	-
	Fiber scrap can	1	-	-
	Roll up pouch	1	-	-
	Fiber marking pen	1	-	-
	Training CD ROM	1	-	-
	Instructions (paper)	1	-	-

The 3M™ LC Expansion Kit 6650-LC is used in addition to the 6365/6361 hot melt termination kits. The LC expansion kit contains the tools needed to terminate 3M™ LC Hot Melt Connectors that are not included in the 6365/6361 termination kits.

### 3M™ LC HOT MELT EXPANSION KIT 6650 CONTENTS

PRODUCT NUMBER	DESCRIPTION	CONTENT QTY	REPLACEMENT MOQ	PACKAGING
6650-LH	Hot melt connector holder	4	4	4/pkg
6650-JW	Polishing jig w/ weight (includes 2 jigs)	1	1	1
6650-LS	Replacement polishing jigs	0	2	2/pkg
6650-LT	Crimp tool	1	1	1
6650-VS	Adapter for view scope	1	1	1
6650-HS	Heat shrink fixture	1	1	1
6650-HC	Holder cleaning pin	3	3	3/pkg
6650-LP	Polishing pad 4.5 x 5.5	2	2	2/pkg
	Instruction manual	1	-	-
	Lapping film, start-up kit*	1	-	-
	Laminated stripping template	1	-	-

\*up to 100 total polished multimode ends, or up to 50 singlemode ends with 50 multimode ends

A complete line of ST, FC, SC and LC couplings is available. For more information, please contact your 3M sales representative at 800-426-8688.

#### Important Notice

All statements, technical information, and recommendations related to 3M's products are based on information believed to be reliable, but the accuracy or completeness is not guaranteed. Before using this product, you must evaluate it and determine if it is suitable for your intended application. You assume all risks and liability associated with such use. Any statements related to the product which are not contained in 3M's current publications, or any contrary statements contained on your purchase order shall have no force or effect unless expressly agreed upon, in writing, by an authorized officer of 3M.

#### Warranty; Limited Remedy; Limited Liability.

This product will be free from defects in material and manufacture for a period of 12 months from the time of purchase. **3M MAKES NO OTHER WARRANTIES INCLUDING, BUT NOT LIMITED TO, ANY IMPLIED WARRANTY OF MERCHANTABILITY OR FITNESS FOR A PARTICULAR PURPOSE.** If this product is defective within the warranty period stated above, your exclusive remedy shall be, at 3M's option, to replace or repair the 3M product or refund the purchase price of the 3M product. **Except where prohibited by law, 3M will not be liable for any loss or damage arising from this 3M product, whether indirect, special, incidental or consequential regardless of the legal theory asserted.**



#### Communication Markets Division 3M Telecommunications

6801 River Place Blvd.  
Austin, TX 78726-9000  
800/426 8688  
Fax 800/626 0329  
www.3MTelecommunications.com

3M is a trademark of 3M Company. All other trademarks used herein are the properties of their respective owners.

10% Post-consumer waste paper

Litho in USA.

© 3M 2005 80-6111-3253-3 (XXXX) DC/\_ -1