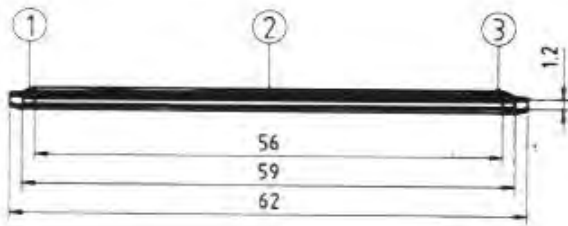


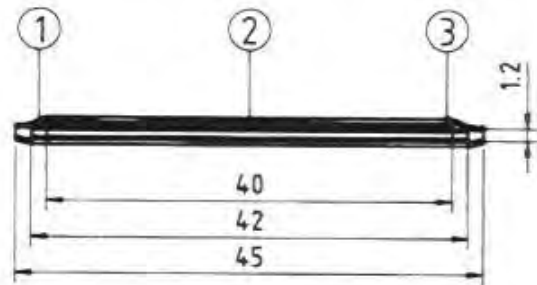
SMOUV

Dimensions and ordering information

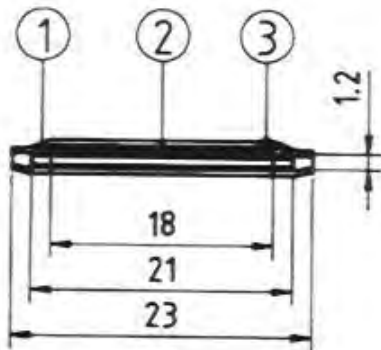
Dimensions in mm



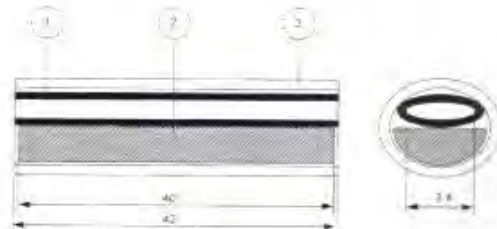
SMOUV 1120-01
Universal type of SMOUV



SMOUV 1120-02
Recommended for the FOSC high capacity organizer trays and the FIST organizer trays.



SMOUV 1120-03
To be used when very short splice protection sleeves are recommended



- 1. Hot melt adhesive
- 2. Ceramic reinforcement member
- 3. Heat-shrinkable tube

Raychem Proprietary Information - Confidential - 19 (Rev. 01)

SMOUV 1120-R2/12-02
Multiple fiber splice protector for 2 up to 12 fiber ribbons.

1. Hot melt adhesive
2. Stainless steel rod (ceramic rod for SMOUV-1120-R2/12-02)
3. Heat-shrinkable tube

The SMOUV installation has to occur in an appropriate oven.

Product Name	Unit of measure	Quantity of SMOUV in 1 pack
SMOUV 1120-01-PK	pack	100
SMOUV 1120-02-PK	pack	100
SMOUV 1120-03-PK	pack	100
SMOUV 1120-R2/12-02-PK	pack	50